

TPWDPH-1800-4-TW-0007

PWD PrePlumbed Hand Wash Trough 1800mm 4
TW-0007 Wall Brackets

304
SS

1.2
mm

Wash
Safe

Water
Mark



About

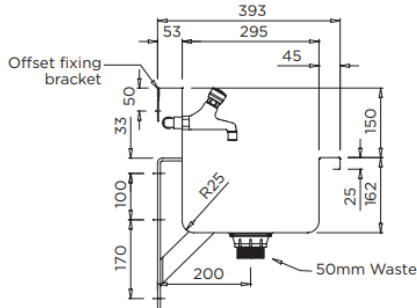
The Stainless Express Stainless Steel PWD Pre-Plumbed Hand Wash Trough comes complete with a choice of WELS and Watermark certified hand wash tapware installed. Timed Flow taps are set to run for 6 seconds only per activation to prevent water wastage and vandalism. Fully welded, rounded corners both internally and externally ensure easy cleaning and provide added safety in high traffic areas. A 50mm hob in the rear splashback allows for the pre-installed plumbing to be concealed and resistant to vandalism. Supplied complete with 50mm waste outlet and heavy duty wall brackets.

Features

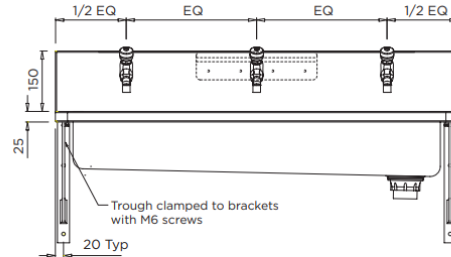
- Supplied pre-plumbed. Just connect water and waste outlet
- Choice of WELS and Watermark certified button activated taps
- Vandal resistant timed flow taps (6 secs)
- 50mm waste & wall brackets supplied
- Concealed tapware connections
- 50mm waste & wall brackets supplied
- Concealed tapware connections
- Left or right hand waste position
- Radius internal corners - easy cleaning
- Radius external corners - added safety
- Ideal for schools, kindergartens and child care

TPWDPH-1800-4-TW-0007

PWD PrePlumbed Hand Wash Trough 1800mm 4 TW-0007 Wall Brackets

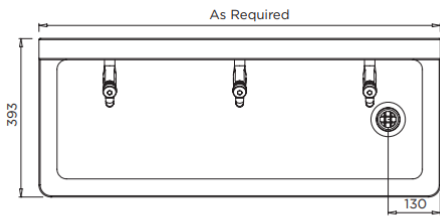


MODEL TPWDPH Section

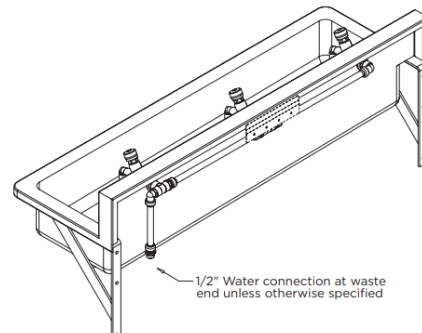


Troughs over 2000mm long are supplied with a centre support bracket

MODEL TPWDPH Front Elevation



MODEL TPWDPH Plan



MODEL TPWDPH Rear Isometric

Also Available



TPWDPH-1200-3-TW-0007
PWD PrePlumbed Hand Wash Trough 1200mm 3 TW-0007 Wall Brackets



TPWDPH-1800-4-TW-0007
PWD PrePlumbed Hand Wash Trough 1800mm 4 TW-0007 Wall Brackets