

BT-WB-609

BenchTech Work Bench 900mm Long with 150mm Splashback and Solid Undershelf

304
SS

1.2
mm

Food
Grade

Solid SS
Under
Shelf



About

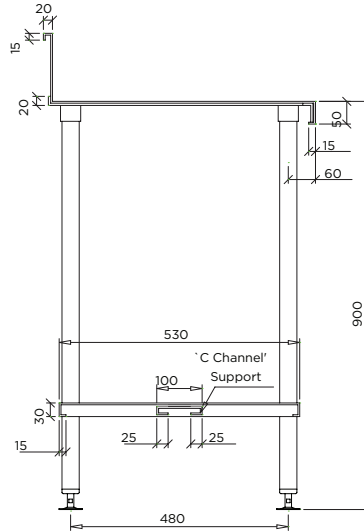
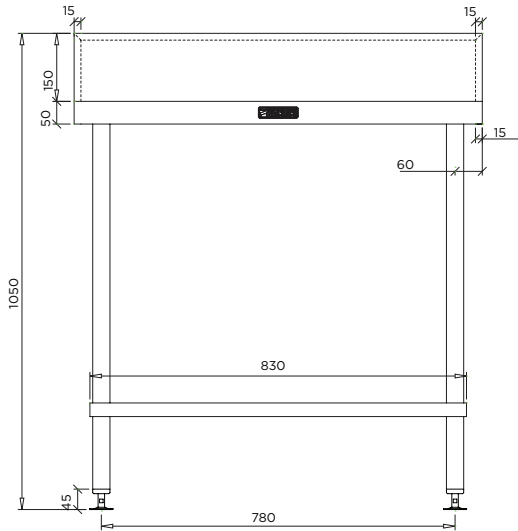
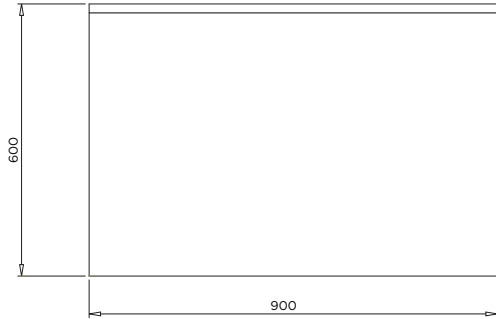
BenchTech Work Benches are made from 1.2mm grade 304 stainless steel complete with a 2.0mm corrosion resistant zinc plated steel substrate and come supplied with our S.S. Tube Legs with Adjustable Feet, 150mm splashback and 1.2mm grade 304 stainless steel solid under shelf. A pipe under shelf can be supplied in lieu if requested (please consult Britex). Built to true commercial specifications, the BenchTech modular system can be used for a full kitchen fit-out or integrated with custom -made Britex benches and shelves to achieve a more cost effective overall project solution. Providing absolute value for money, BenchTech is ideal for use in projects such as teaching kitchens, canteens, cafes and restaurants.

Features

- 304 Grade, 1.2mm Thick S.S Benchtop
- 304 Grade, 1.2mm Thick S.S Solid Shelf
- 2.0mm Corrosion Resistant Zinc Plated Steel Substrate Benchtop
- Satin Finish
- 38mm Diameter S.S. Tube Legs
- 150mm Splashback
- S.S. 'C Channel' Reinforcement Shelves

BT-WB-609

BenchTech Work Bench 900mm Long
with 150mm Splashback and Solid Undershelf



BenchTech

Other Sizes

BT-WB-612

1200mm BenchTech
Work Bench

BT-WB-615

1500mm BenchTech
Work Bench

BT-WB-618

1800mm BenchTech
Work Bench

Also Available



BT-FB

BenchTech Flat Bench
Series



BT-MB

BenchTech Mobile
Bench Series