

PC

Centurion Pan P Trap

304
SS

Water
Mark

WELS

Vandal
Resistant



About

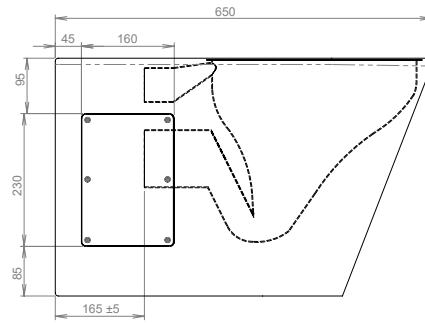
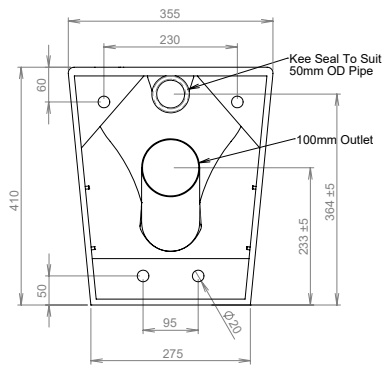
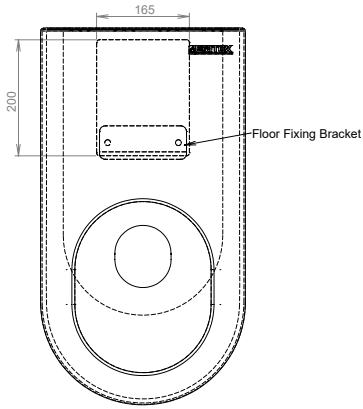
The Stainless Express Centurion Toilet Pan is seamless, fully shrouded and manufactured from heavy gauge grade 304 satin S.S. making it easy to clean and providing optimal strength. Incorporating radius edges for added safety, a pressed internal bowl and unique trap design, the Centurion pan is extremely water efficient (4.5/3 litre) and much less susceptible to costly blockages in public amenities. Additionally, it incorporates a contraband-proof flushing rim and is free of ligature points making it ideal for installing in correctional facilities and holding cells. Access panels come standard on both sides of the pan for easy installation and a toilet seat can be fitted if required. WaterMark and WELS certified as required by plumbing regulations and government legislation.

Features

- WELS and WaterMark certified
- Ultra vandal resistant
- Safety radius front edge
- Free of ligature points
- Contraband-proof flushing rim
- Concealed fixings
- Satin stainless finish
- Unique blockage resistant trap
- Option for fitted toilet seat
- Option for permanently sealed access panels (maximum security projects)
- Suits detention facilities and public amenities

PC

Centurion Pan P Trap



Also Available



PC-S
Centurion Pan S Trap



BSW-BTWWC-560
560 Ceramic Floor
Standing Toilet



BSW-WM-AMB
620 Wall Mounted
Ceramic Ambulant
Accessible Pan